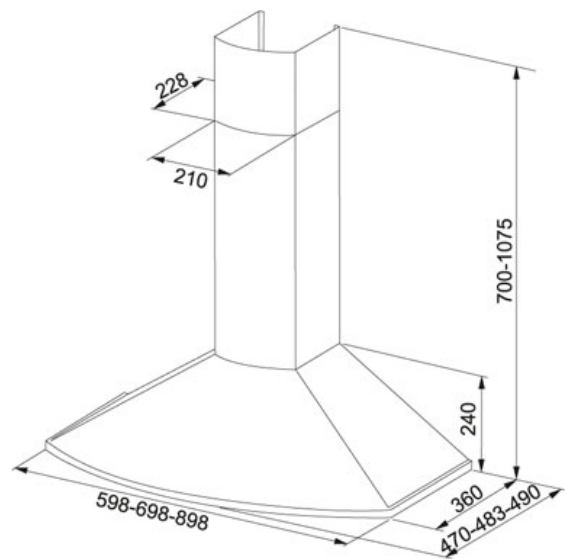


SPECIFICATION SHEET

PRODUCT FAMILY: Hoods FINISH: Stainless Steel SERIES: TENDER ALLIANCE MODEL: 724-10 60CM



Product Information

Article number	110.0350.576
Old article number	7241-9010
Ventilation Type 1	Alliance
Energy Efficiency Class Hoods	C
Hood Type	WALL
Width Hood in cm	60.00000
Capacity DIN IEC 61591 Max.	0-M3/H
Capacity DIN IEC 61591 Min.	0 m3/h
Noiselevel DIN EN 60704-3 Max.	58 dB
Noiselevel DIN EN 60704-3 Min.	32 dB
Power (W)	90 W
Grease filter_1	Stainless steel cassette
Illumination	LEDS 2x2W
Type of Controls	ELECTRONIC-TOUCH-CONTROL
Outlet tube diameter_1	160
Recommended positioning height above hob	500MM-ELECTRIC---650MM-GAS
Height Overall	595 mm
Dimensions	750-MMx400 mm

Characteristics

3 Speed



Energy Efficiency Class Hood
C

Easy Clean